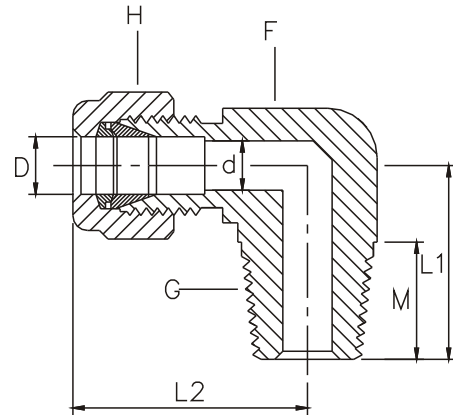

**MALE ELBOW - METRIC TUBING**

TUBE O.D. D	NPT MALE PIPE SIZE G	WINSEAL NUMBER	L1	L2	H	F1	M	d
6	1/8	-6ME - 2 - 2TG	18.9	27.1	14	12.7	9.7	4.8
6	1/4	-6ME - 2 - 4TG	23.5	27.1	14	14.0	14.2	4.8
6	3/8	-6ME - 2 - 6TG	26.3	29.9	14	17.5	14.2	4.8
6	1/2	-6ME - 2 - 8TG	33.1	31.9	14	22.0	19.0	4.8
8	1/4	-8ME - 2 - 4TG	24.5	28.9	16	14.0	14.2	6.4
8	1/2	-8ME - 2 - 8TG	33.1	32.7	16	22.0	19.0	6.4
10	1/4	-10ME - 2 - 4TG	26.3	31.6	19	17.5	14.2	7.1
10	3/8	-10ME - 2 - 6TG	26.3	31.6	19	17.5	14.2	7.9
10	1/2	-10ME - 2 - 8TG	33.1	33.6	19	22.0	19.0	7.9
12	1/8	-12ME - 2 - 2TG	23.7	36.1	22	20.6	9.7	4.8
12	1/4	-12ME - 2 - 4TG	28.3	36.1	22	20.6	14.2	7.1
12	3/8	-12ME - 2 - 6TG	28.3	36.1	22	20.6	14.2	9.5
12	1/2	-12ME - 2 - 8TG	33.1	36.1	22	20.6	19.0	9.5
12	3/4	-12ME - 2 - 12TG	36.9	39.9	22	27.0	19.0	9.5
16	3/8	-16ME - 2 - 6TG	30.3	38.1	25	24.0	14.2	9.5
16	1/2	-16ME - 2 - 8TG	35.2	38.1	25	24.0	19.0	11.9
18	1/2	-18ME - 2 - 8TG	36.8	39.8	30	27.0	19.0	11.9
18	3/4	-18ME - 2 - 12TG	36.8	39.8	30	27.0	19.0	15.1
20	1/2	-20ME - 2 - 8TG	41.7	44.6	32	30.0	19.0	11.9
20	3/4	-20ME - 2 - 12TG	41.7	44.6	32	30.0	19.0	15.9
22	3/4	-22ME - 2 - 12TG	41.7	44.6	32	30.0	19.0	15.9
22	1	-22ME - 2 - 16TG	46.5	44.6	32	35.0	23.9	18.3
25	3/4	-25ME - 2 - 12TG	41.7	49.1	40	35.0	19.0	15.9
25	1	-25ME - 2 - 16TG	46.5	49.1	40	35.0	23.9	21.8



**MALE ELBOW - FRACTIONAL TUBING**

TUBE O.D. D	NPT MALE SIZE PIPE G	CATALOG NUMBER	L1	L2	H	F	M	d
1/16	1/16	-1IME - 2 - 1TG	.70	.75	5/16	7/16	.38	.05
1/16	1/8	-1IME - 2 - 2TG	.70	.75	5/16	7/16	.38	.05
1/8	1/16	-2IME - 2 - 1TG	.70	.93	7/16	7/16	.38	.09
1/8	1/8	-2IME - 2 - 2TG	.70	.93	7/16	7/16	.38	.09
1/8	1/4	-2IME - 2 - 4TG	.92	.97	7/16	9/16	.56	.09
3/16	1/8	-3IME - 2 - 2TG	.74	1.00	1/2	1/2	.38	.12
3/16	1/4	-3IME - 2 - 4TG	.92	1.00	1/2	9/16	.56	.12
1/4	1/8	-4IME - 2 - 2TG	.74	1.06	9/16	1/2	.38	.19
1/4	1/4	-4IME - 2 - 4TG	.92	1.06	9/16	9/16	.56	.19
1/4	3/8	-4IME - 2 - 6TG	1.03	1.17	9/16	11/16	.56	.19
1/4	1/2	-4IME - 2 - 8TG	1.30	1.25	9/16	7/8	.75	.19
5/16	1/8	-5IME - 2 - 2TG	.78	1.13	5/8	9/16	.38	.19
5/16	1/4	-5IME - 2 - 4TG	.96	1.13	5/8	9/16	.56	.25
5/16	3/8	-5IME - 2 - 6TG	1.03	1.20	5/8	11/16	.56	.25
3/8	1/8	-6IME - 2 - 2TG	.82	1.20	11/16	5/8	.38	.19
3/8	1/4	-6IME - 2 - 4TG	1.00	1.20	11/16	5/8	.56	.28
3/8	3/8	-6IME - 2 - 6TG	1.03	1.23	11/16	11/16	.56	.28
3/8	1/2	-6IME - 2 - 8TG	1.30	1.31	11/16	7/8	.75	.28
3/8	3/4	-6IME - 2 - 2TG	1.45	1.46	11/16	1-1/16	.75	.28
1/2	1/4	-8IME - 2 - 4TG	1.11	1.42	7/8	13/16	.56	.28
1/2	3/8	-8IME - 2 - 6TG	1.11	1.42	7/8	13/16	.56	.38
1/2	1/2	-8IME - 2 - 8TG	1.30	1.42	7/8	7/8	.75	.41
1/2	3/4	-8IME - 2 - 12TG	1.45	1.57	7/8	1-1/16	.75	.41
5/8	3/8	-10IME - 2 - 6TG	1.19	1.50	1	15/16	.56	.38
5/8	1/2	-10IME - 2 - 8TG	1.38	1.50	1	15/16	.75	.47
5/8	3/4	-10IME - 2 - 12TG	1.45	1.57	1	1-1/16	.75	.50
3/4	1/2	-12IME - 2 - 8TG	1.45	1.57	1-1/8	1-1/16	.75	.47
3/4	3/4	-12IME - 2 - 12TG	1.45	1.57	1-1/8	1-1/16	.75	.62
7/8	3/4	-14IME - 2 - 12TG	1.64	1.76	1-1/4	1-3/8	.75	.62
1	3/4	-16IME - 2 - 12TG	1.64	1.93	1-1/2	1-3/8	.75	.62
1	1	-16IME - 2 - 16TG	1.83	1.93	1-1/2	1-3/8	.95	.88

All dimensions are for reference purpose only & subject to change.