

# WINFLOW GAUGE/ROOT VALVES



1 SHORT BODY

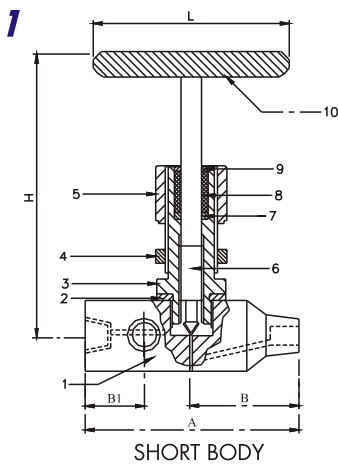


2 EXTENSION BODY

**WINFLOW** Gauge/Root valves are widely used in pressure switches, gauges and differential pressure transmitters, block and bleed assemblies etc. to test pressure source required in sampling line or purge valve lines.

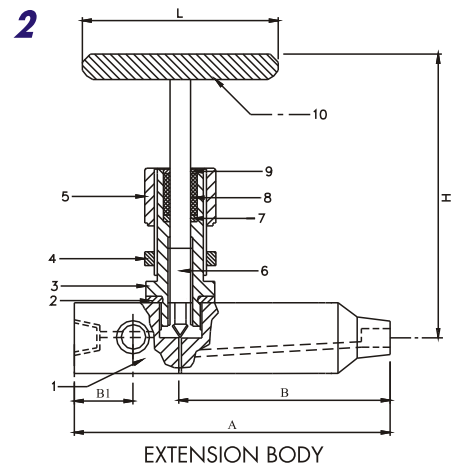
## DESIGN FEATURES

1. Superior material of construction for optimum corrosion resistance and excellent performance.
2. Offered with multiple outlets to accommodate a variety of gauge positions with handle orientations.
3. Graphoil packing for higher temperature applications.
4. Full material traceability.
5. Choice of stem design with ball tip and plug tip.
6. Excellent performance for repetitive shut off.



### GAUGE / ROOT VALVE

NO.	DESCRIPTION	QTY	MATERIAL OF CONSTRUCTION	
			STAINLESS STEEL	CARBON STEEL
1	Body	1	SS	CS
2	Washer	1	SS	CS
3	Bonnet	1	SS	CS
4	Cap Nut	1	SS	CS
5	Check Nut	1	SS	CS
6	Stem	1	SS	SS
7	Packing	2	PTFE/GRAPHOIL	PTFE/GRAPHOIL
8	Gland	1	SS	SS
9	Back Up Ring	1	SS	SS
10	Handle	1	SS	CS



### GAUGE / ROOT VALVE

SR. NO.	DESCRIPTION	A	B	B1	H (Open)	L
1.	Short Body	5.38	2.97	1.50	3.54	2.50
2.	Long extension Body	7.25	4.84	1.50	3.88	2.50

#### MATERIALS

USE: ■ SS FOR STAINLESS STEEL ■ B FOR BRASS ■ CS FOR CARBON STEEL  
 ■ M FOR MONEL ■ HS FOR HESTALLOY

All dimensions are in inches (except where mm is mentioned) for reference purpose only & subject to change.