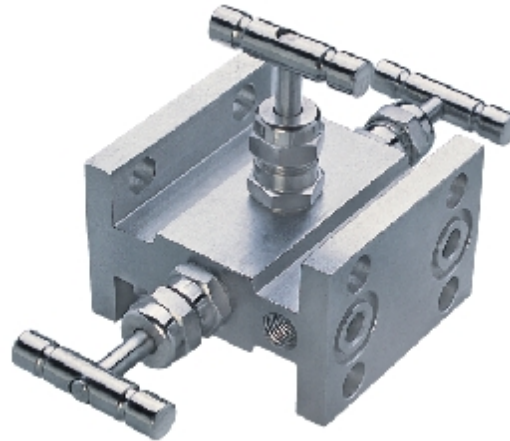




## WINFLOW 3 WAY VALVE MANIFOLD

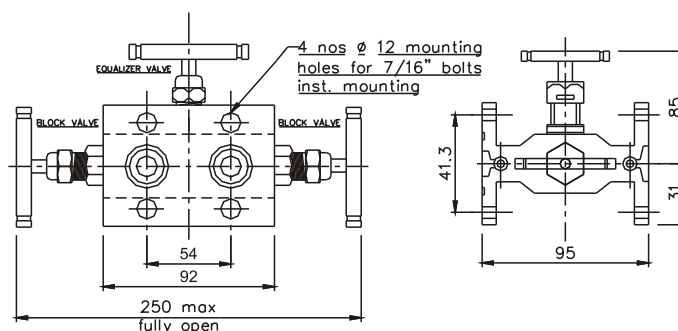


**WINFLOW** 3 way valve manifolds are mainly used in differential pressure transmitters and static instrument applications such as pressure switches, pressure transmitter and manometers. It has two process isolation valves and one equalization valve to equalize the two sides. Process and instrument sides are both on 54 mm centers to correspond with transmitter connection.

**WINFLOW** 3 VALVE MANIFOLDS ARE AVAILABLE IN MANY DIFFERENT CONFIGURATIONS AS SHOWN IN THE PRODUCT INDEX

### DESIGN FEATURES

1. Forged one piece body construction for higher strength.
2. Two isolation and one equalizing valve for instrument balancing applications.
3. Accurate and fine control of venting.
4. Metal to metal body bonnet seal for higher pressure and temperature sealing.
5. Temperature rating  $-50^{\circ}\text{C}$  TO  $230^{\circ}\text{C}$ .
6. Mounting holes are standard to allow easy fixing to pipe stands and enclosure.
7. Non rotating Vee/Ball tip design.
8. Full material traceability.
9. Material of construction can be supplied to meet the requirement of NACE MR-01-75.



All dimensions are for reference purpose only & subject to change.